

AERODROME CHART-ICAO

06° 47' 08" N
101° 09' 13" E

ELEV 8 ft
2 m

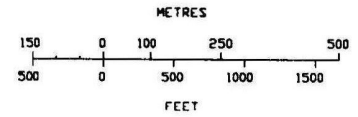
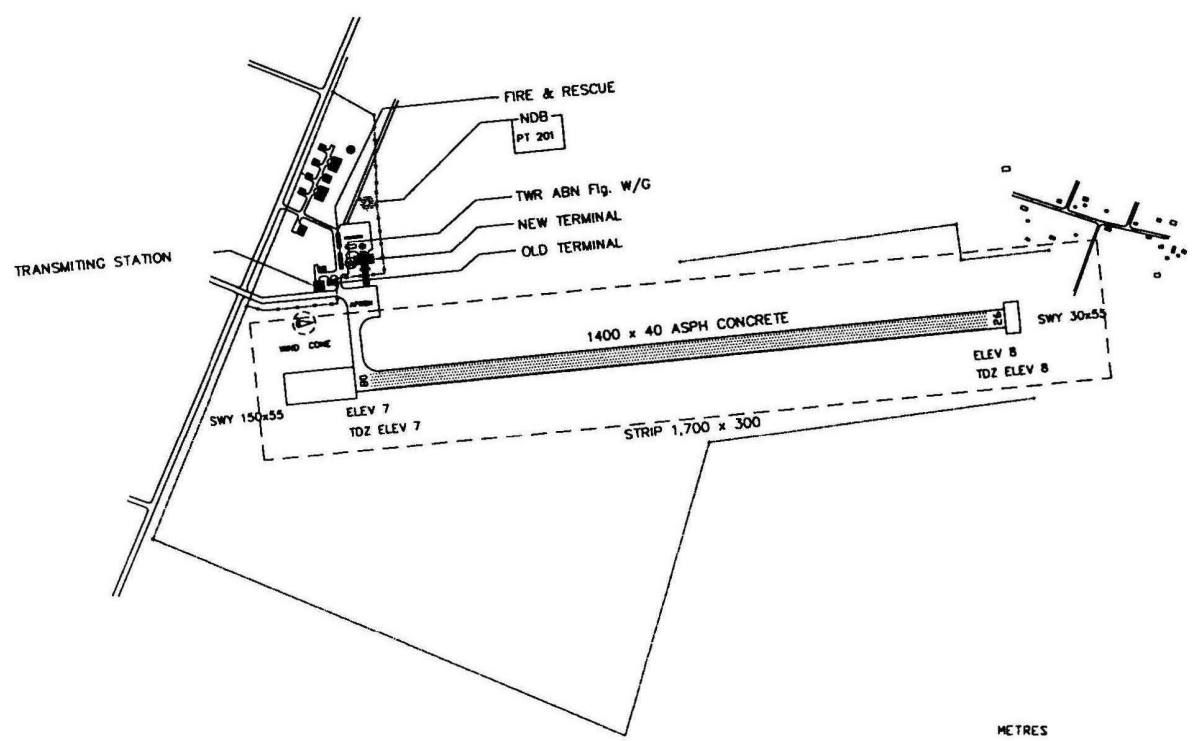
TWR 119.3
238.6

PATTANI/Pattani

RWY	DIRECTION	THR	BEARING STRENGTH
08	85°	06° 47' 06" N 101° 08' 50" E	PCN 21/F/C/X/T
26	265°	06° 47' 09" N 101° 09' 36" E	
APRON			PCN 21/R/C/X/T

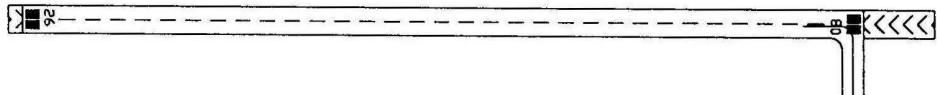
↑
VAR 2.2 (2001)
ANNUAL RATE OF CHANGE 3"E

ELEVATIONS IN FEET AND DIMENSIONS IN METRES
BEARING ARE MAGNETIC



Remark : COORDINATE ARE WGS-84

MARKING AIDS RWY 08/26 AND EXIT TWY



LIGHTING AIDS RWY 08/26 AND EXIT TWY

