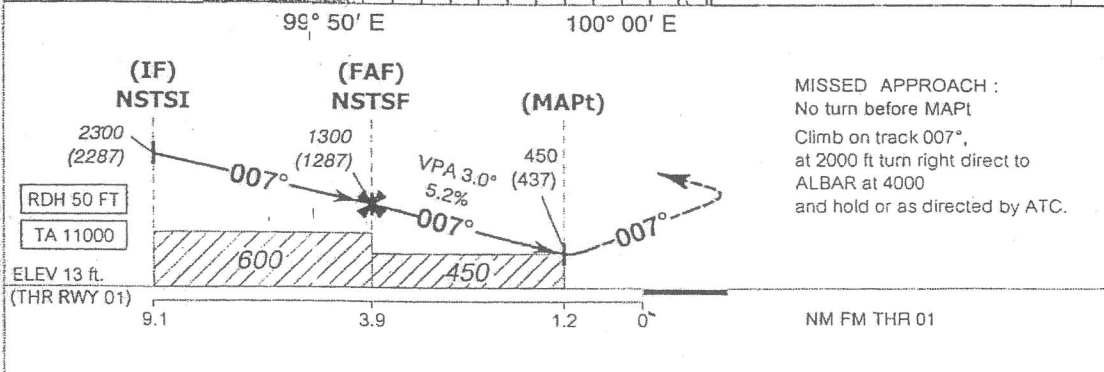
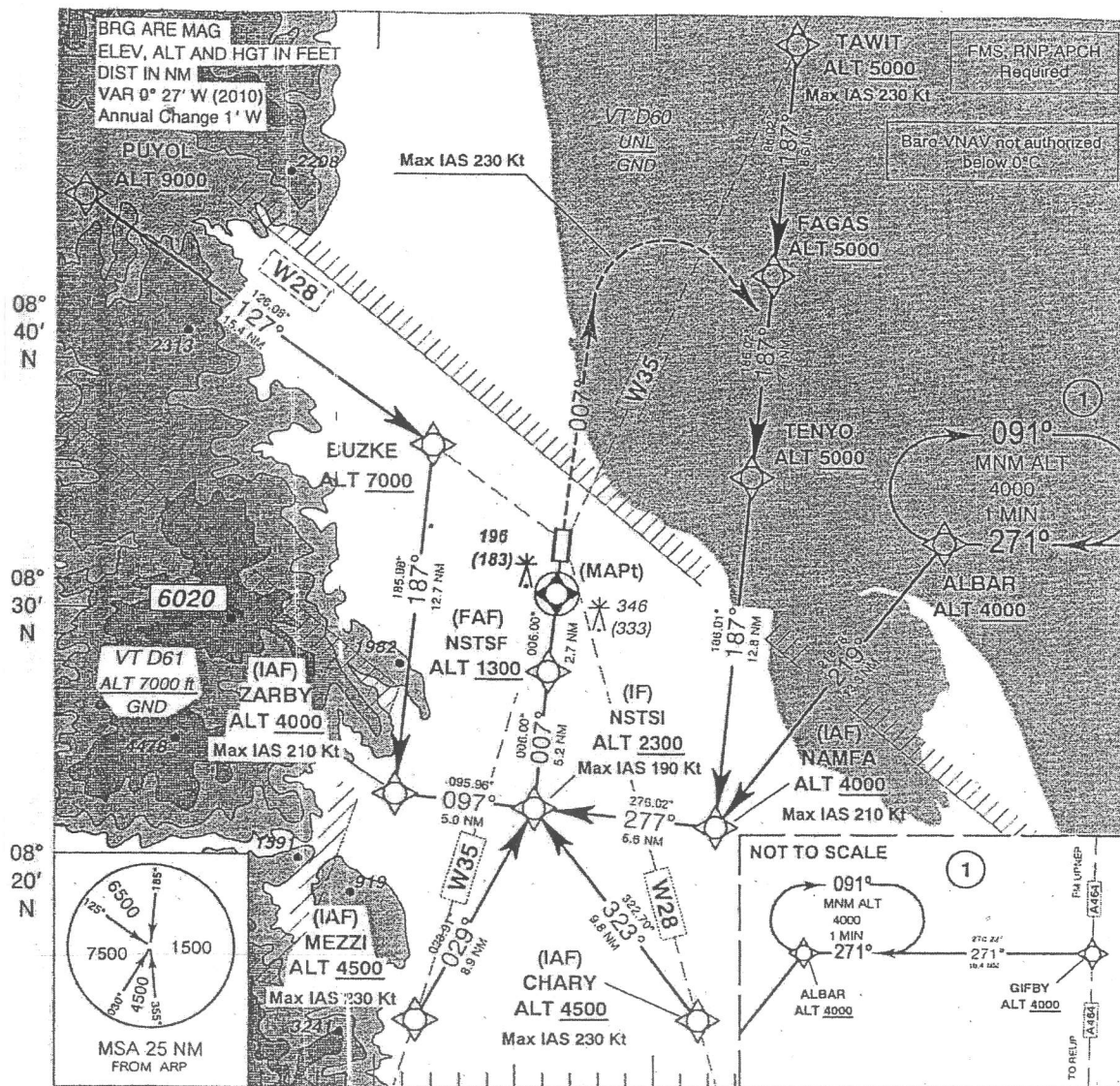


INSTRUMENT APPROACH CHART - ICAO
 AERODROME ELEV. 13 ft
 HEIGHTS RELATED TO AERODROME ELEV.

APP : 119.75, 240.0
 TWR : 122.55, 236.6

NAKHON SI THAMMARAT /
 Nakhon Si Thammarat (VTSF)
 RNAV (GNSS) RWY 01



OCA/H	A	B	C	D	NM to THR 01	FAF	3NM	2NM	MAPt			
RNAV / VNAV		450 (437)			Altitude (Height)	1300 (1287)	1010 (997)	695 (682)	450 (437)			
RNAV		450 (437)			Ground speed (GS)	knot	100	120	140	160	180	200
Circling (OCH AAL)		740 (727)			Rate of descent (ft/min)	530	630	740	845	950	1055	